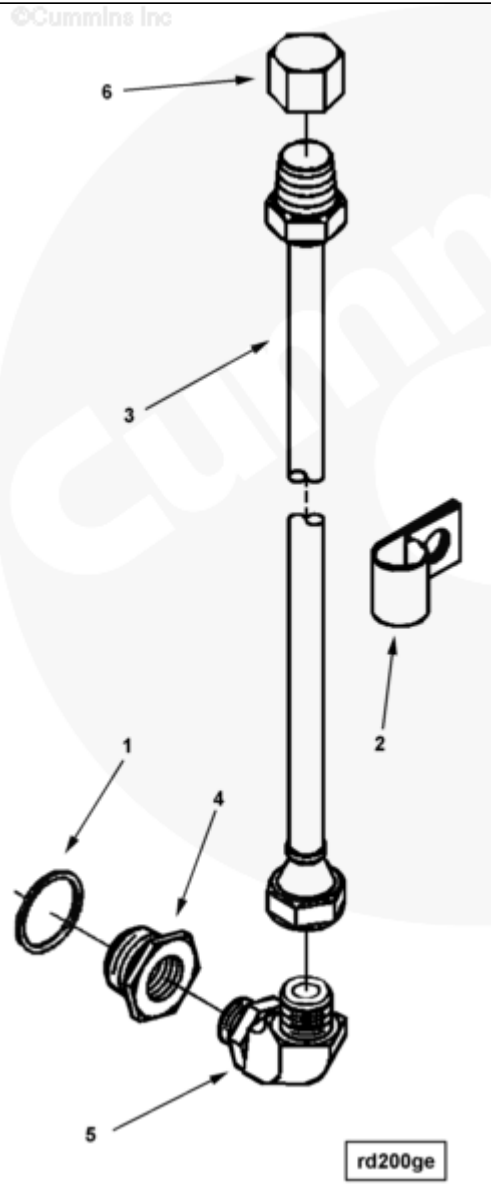




# Parts Catalog - Option Detail

Electronic Parts Catalog - Option Detail				
Option	Group	Graphic	Film Card	Date
RD2008-03	07.04	rd200ge	II	07-AUG-02
<b>Engines</b>	ISM CM570, ISM CM570/870, ISM CM875, ISM CM876, ISM CM876 E, ISM11 CM876 M103, ISM11 CM876 SN, M11 CELECT, M11 CELECT PLUS, M11 MECHANICAL, QSM11 CM570, QSM11 CM876			



SMALL | MEDIUM | LARGE

Cart	Ref No	Part Number	Part Description	Required	Remarks
<a href="#">View My Cart</a>					
		RD2008-03	Remote Oil Drain		

					Remote Oil Drain
					Supply Method: Mounted in
					Oil Pan
					Drain Adapter Thread Size("):
					1-18 UNS-2B To M18 x 1.5
					1.5
					Oil Pan Material: Cast
					Aluminum
					Remote Drain Location: Front
					Sump, Exhaust Side Oil Drain
					Hose for Connection to
					Customer Supplied Oil Change
					Pump
<input type="checkbox"/>	1	<a href="#">67946</a>	Plain Washer	1	1 1/32 in.
<input type="checkbox"/>	2	<a href="#">216848</a>	Clip	1	
<input type="checkbox"/>	3	<a href="#">3957410</a>	Flexible Hose	1	
<input type="checkbox"/>	4	<a href="#">3892389</a>	Threaded Plug	1	
<input type="checkbox"/>	5	<a href="#">3957977</a>	Male Adapter Elbow		
<input type="checkbox"/>		<a href="#">3417976</a>	O-Ring Seal	1	
<input type="checkbox"/>		<a href="#">3417977</a>	Retaining Ring	1	
		<a href="#">3897142</a>	Male Adapter Elbow	1	
<input type="checkbox"/>	6	<a href="#">3925676</a>	Pipe Cap	1	